

PONY



ESPRESSO



PONY 2

THE IDEAL SOLUTION FOR PROFESSIONAL COFFEE POD EQUIPMENT



PONY 4

The PONY ESPRESSO line, including the two models PONY 2 and PONY 4, is a very practical and effective solution for professionals who choose E.S.E. (Easy Serving Espresso) PODs to make espresso drinks. Coffee extraction quality and volume results are consistent through the days, weeks and months of operation on all selected drink sizes and quantities.

UNIC
ESPRESSO ENGINEERS



Easy insertion of pods into each group from the front top by the cup warmer

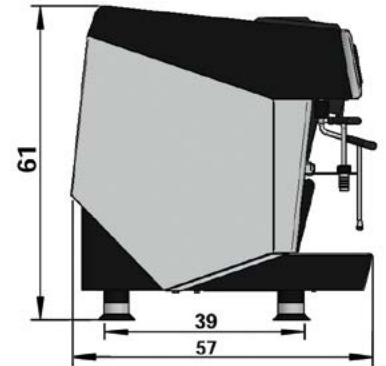


Cup holders are easy to reposition depending on cup size and desired clearance



Practical and removable used pods drawer

CARACTÉRISTIQUES STANDARD	PONY 2	PONY 4
Width (cm)	34	64
Depth (cm)	57	57
Height (cm)	58	58
Weight (Kg)	47	65
Boiler capacity (L)	6.3	10.1
Voltage (V)	230 Mono	230 Mono 400 TRI+N
Power (W)	3000	4700
Hot water arm	1	1
Steam arm	1	2
OPTIONS		
Steamair and timed hot water	1	1
Raised feet (cm)	3	3



Foam and heat milk to a smooth consistency with the SteamAir automatic wand, for perfect cappuccinos and lattes with great ease



Program and select desired drink on touch control box equipped with up to 6 dosing selection



Make 1 or 2 espressos at a time per group, and up to 4 at a time with the PONY 4

UNIC

ESPRESSO ENGINEERS

www.unic.fr - info@unic.fr

UNIC

Z.I. 4e RUE - B.P. 425
06515 CARROS CEDEX 1
FRANCE
Tél. : +33 (0)4 92 08 62 60
Fax : +33 (0)4 93 29 24 23
www.unic.fr

UNIC PARIS

94/96, rue Victor Hugo
94200 IVRY-SUR-SEINE
FRANCE
Tél. : +33 (0)1 46 71 02 07
Fax : +33 (0)1 46 71 15 79
www.unic.fr

UNIC USA CORP.

12407 Mukilteo Speedway
Suite 250-B
Lynnwood, WA 98087 - USA
Tél. : +1 425 353 2700
Fax : +1 425 353 3918
www.unic-usa.com

UNIC JAPAN KK

18-5 Nihonbashi Kabuto-cho
Chuo-Ku 103-0026 TOKYO
JAPON
Tél. : +81 356 438 181
Fax : +81 356 438 838
www.unicjapan.co.jp