

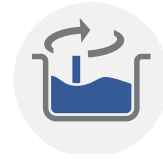
V-SOFT +

The only compact, self-pasteurizing soft gelato machine in the world

Sencotel



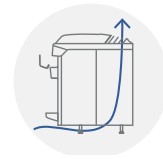
Auto pastuerization
Wash cycles reach up to 42 days.



Mixing in tank
to avoid separation of the mix.



Tank
5l Capacity.



Air Cooled
Air flow transfers vertically.



Easy to Position
can be placed next to other equipment reducing wasted space.



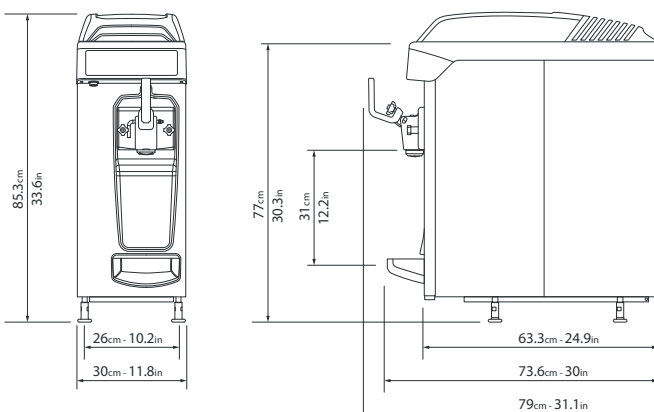
Heated cleaning of the cylinder
Possibility of heating the cylinder to simplify cleaning.



Multifunction display
Mix temperature, gelato consistency, dispenser ready, and insufficient mix, etc..



Control Panel
Multilanguage display.



V-SOFT +

Flavours	1
Mix Delivery System	Gravity
Hourly Production	15 Kg/h
Net weight	98 Kg
Rated Power Input	1800 W
Fuse Size	16 A
Power Supply	230 / 50 / 1



The solution for those who think outside the box.

The compact, self-pasteurizing soft gelato machine. Quick and easy to maintain thanks to the gravity-feed cylinder, and equipped with a simple dispensing system for single portions.

Now even restaurants, pizzerias and bistros with limited available space can expand their product range with an excellent soft gelato, a very good frozen yogurt, or an excellent sorbet thanks to its extremely small size.

