



ICETRO

SSI-271THS/SHS Soft Serve Machine



Features

- +Single Flavor.
- +Can serve Yogurt & Soft Ice Cream.

Mix Hopper

- +One, 12.3liter (3.25gallon) capacity.
- +Maintain the temperature of mix, under 5° C (41° F) in Auto & Stand by mode.

Freezing Cylinder

- +One, 2.7liter (0.71gallon) capacity.

Self Serve Function

- +By pressing the dispensing button simply, self serve function is available with feeder(cup holder)
- +Can serve exact amount of ice cream



Pasteurization Function



- +Pasteurization involves heat treatment system for dairy products to kill bacteria,

Inverter System

- + It can produce the best taste of ice cream with any ingredient through installing inverter system. maintaining dairy products up to two weeks.



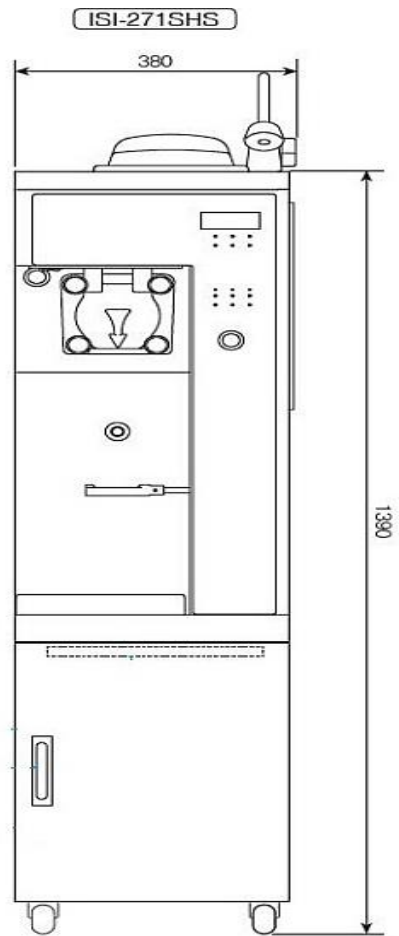
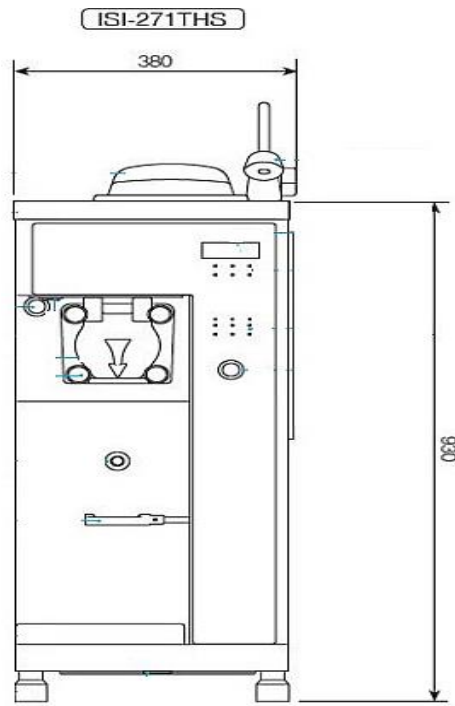
ICETRO

7, GEOMDAN-RO 54BEON-GIL, SEO-GU, INCHEON, KOREA

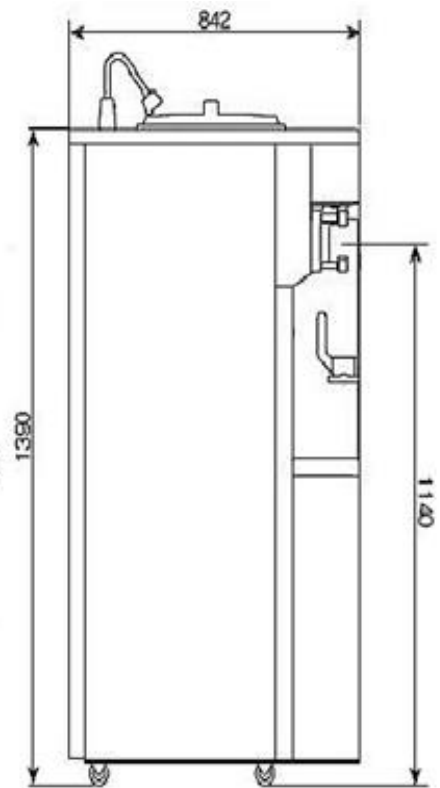
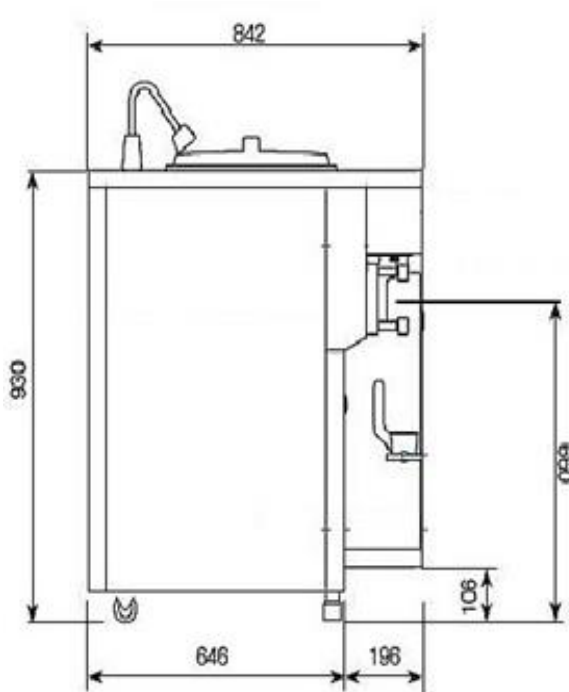
TEL: +82-32-814-2160 Ext. 210, 220 FAX: +82-32-814-1798

WEB: WWW.ICETRO.COM Email: webmaster@icetro.com

ISO 9001:2007
REGISTERED



Front Side View



Left Side View

Exterior

ISI-271THS

Dimensions	Net		Gross	
	mm	inch	mm	inch
Width	380	14.9	443	17.44
Depth	842	33.1	932	36.7
Height	930	36.6	1,132	44.6

ISI-271SHS

Dimensions	Net		Gross	
	mm	inch	mm	inch
Width	380	14.9	486	19.1
Depth	842	33.1	910	35.8
Height	1390	54.7	1,630	64.2

Weight	Kgs	lbs
ISI-271THS	140	308.6
ISI-271SHS	180	396.8

Electrical

Power consumption	2,200 Watt
Voltage	208~230V/60HZ/1PH 220~240V/50HZ/1PH

Specifications

Refrigeration System

Comp	No.	Brand	Watt	BTU	Ref.
Freezing-271THS	1	EMBRACO	1,207	6645	R-404A
Freezing-271SHS	1	TECUMSEH	1,260	6274	R-404A
COOLING			NONE		

*Air-Cooling condenser.

*BTUs may vary depending on compressor used.

Production Capacity

Max. Production	276cups/h (75g/Cup)
First Dispensing	7~11min
Consecutive Dispensing	8~10 cups(100cc/3.5oz)

*Production Capacity may vary depending on ambient temperature.

Dasher Motor

One, 0.75Kw (1.0Hp)

*Product's exterior and specifications can be modified without prior notice..



ICETRO

SINCE 1981 - ARTISAN SPRIT

Island Freezer / Ice Cream Cabinet / Ice Maker
Soft Ice Cream Machine / Slush Machine

Distributed by